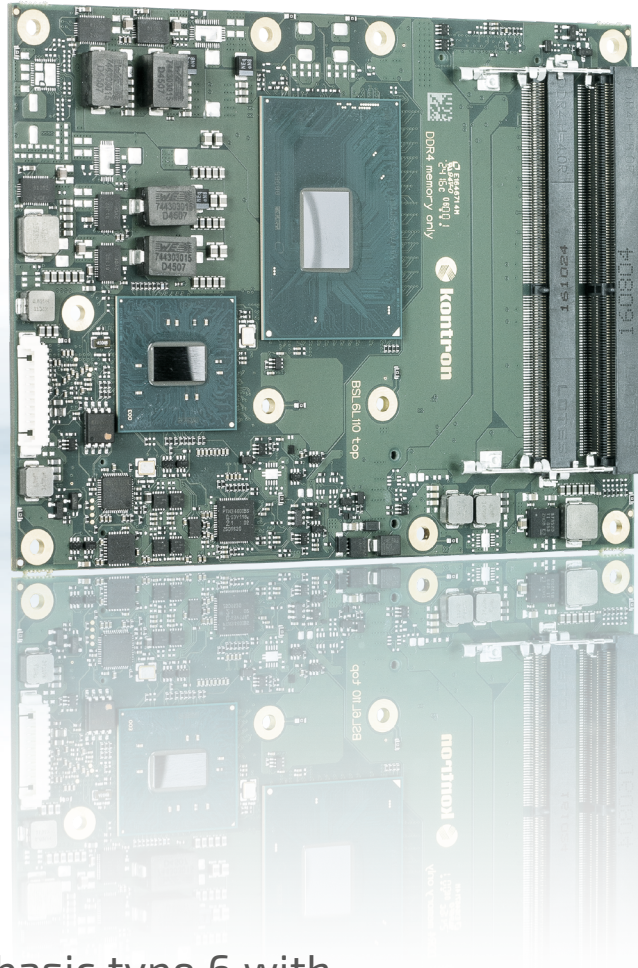


COMe-bKL6R E2S



COM Express® basic type 6 with 7th Gen Intel® Core™ /Xeon® processors

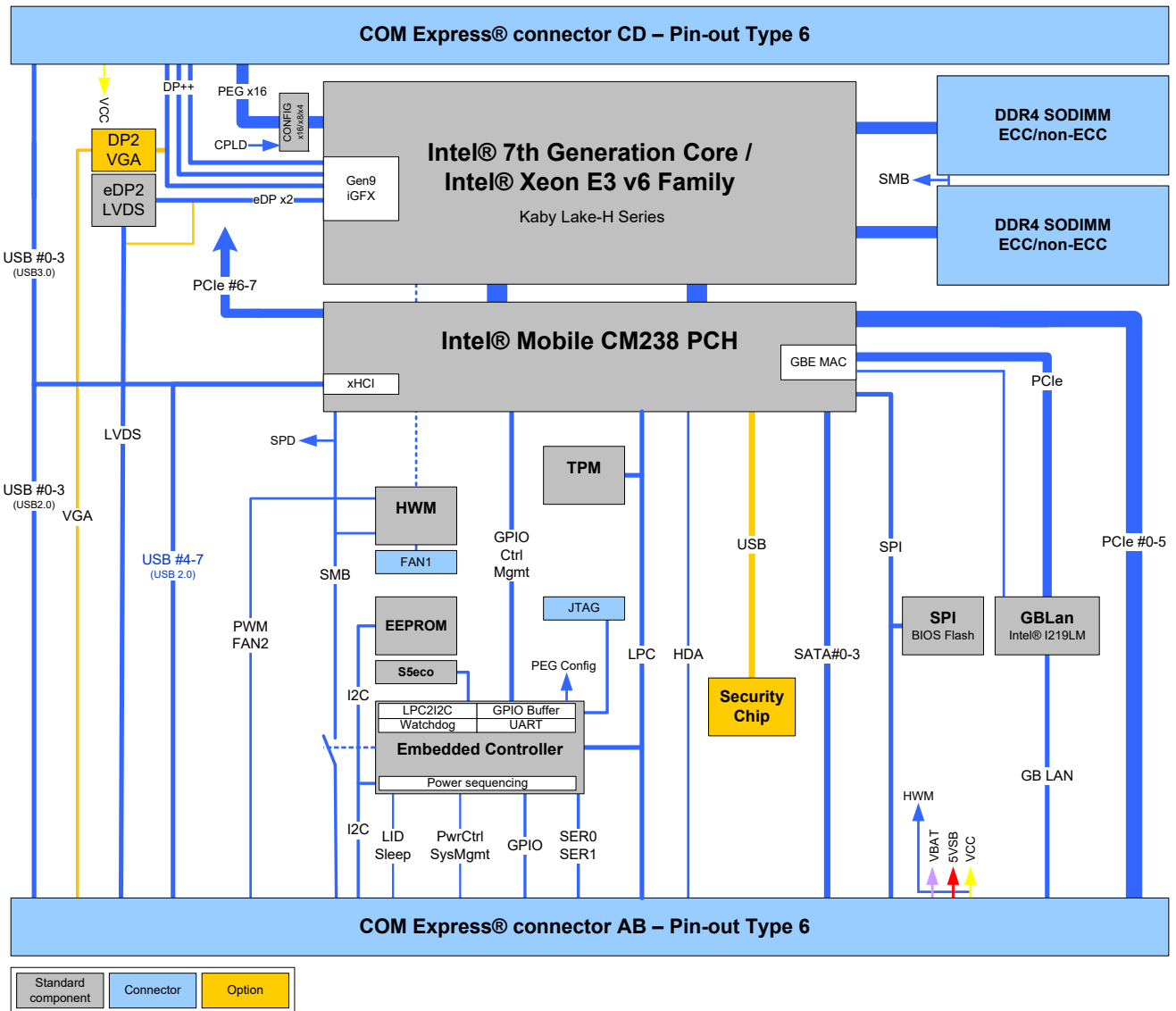
- ▶ Intel® 7th Gen Core™ series/Xeon® E3 v6 family with CM238 PCH
- ▶ Up to 32 GByte DDR4 non-ECC/ECC memory
- ▶ Industrial temperature grade
- ▶ Support of Intel® Optane™ memory technology via PCIe

POSSIBILITIES START HERE

► TECHNICAL INFORMATION

COMPLIANCE	COM Express® basic, Pin-out Type 6
DIMENSIONS (H x W)	125 x 95 mm
CPU	Intel® Xeon® E3-1505M v6, 4x 3.0 GHz (4.0 GHz), GT2, 45/35 W Intel® Xeon® E3-1505L v6, 4x 2.2 GHz (3.0 GHz), GT2, 25 W Intel® i3-7100E Core™ i3, 2x 2.9 GHz, GT2, 35 W Intel® i3-7102E Core™ i3, 2x 2.1 GHz, GT2, 25 W
CHIPSET	Intel® Mobile CM238
MAIN MEMORY	2x DDR4-2400 SO-DIMM up to 2x 16 GByte (non-ECC/ECC)
GRAPHICS CONTROLLER	Intel® HD Graphics P630 for Xeon® processors Intel® HD Graphics 630 for Core™ processors
ETHERNET CONTROLLER	Intel® I219LM
ETHERNET	10/100/1000 MBit Ethernet
HARD DISK	4x SATA 6Gb/s
FLASH ONBOARD	-
PCI EXPRESS® SUPPORT	8x PCIe x1, 1x PEG x16
PANEL SIGNAL	DDI1: DP++, DDI2: DP++, DDI3: DP++, VGA: -, LVDS: Dual Channel 18/24bit
USB	4x USB 3.0 (incl. USB 2.0) + 4x USB 2.0
SERIAL	2x serial interface (RX/TX only)
AUDIO	Intel® High Definition Audio
COMMON FEATURES	SPI, LPC, SMB, Fast I ² C, Staged Watchdog, RTC, support of Intel® Optane™ memory technology via PCIe,
BIOS	AMI Aptio V
HUMIDITY	93 % relative Humidity at 40° C, non-condensing (according to IEC 60068-2-78)
ON REQUEST	vPRO (AMT/TXT/AES Support), eDP instead of LVDS, VGA, Security Chip
POWER MANAGEMENT	ACPI 6.0
POWER SUPPLY	ATX or Single Supply Power
SPECIAL FEATURES	POSCAP capacitors, Trusted Platform Module TPM 2.0, 4k Resolutions, Flexible PEG lane configuration by Setup Option, Rapid Shutdown
OPERATING SYSTEM	Windows® 10, Linux, VxWorks
TEMPERATURE	Industrial temperature: -40° C to +85° C operating, -40° C to +85° C non-operating
SUPPORTED MODULES	COMe-bKL6R E2S xx-xxxxxx CM238

► BLOCK DIAGRAM



► GLOBAL HEADQUARTERS

Kontron Europe GmbH

Gutenbergstraße 2
 85737 Ismaning, Germany
 Tel.: +49 821 4086-0
 Fax: +49 821 4086-111
 info@kontron.com

www.kontron.com