

EvoTRAC-S1901 PLATFORM



Intelligent High-Performance Compute Platform Built for Heavy-Duty Operations

- ▶ Ruggedized & modular platform for in-vehicle deployment with built-in AI
- ▶ COM Express® Intel® High Performance Module
- ▶ Expansion slots for multiple GPUs, frame grabbers, video modules and more
- ▶ Multiple I/O, high speed network with PTP and high capacity storage option
- ▶ Wireless connectivity options for cellular and Wi-Fi

POSSIBILITIES START HERE



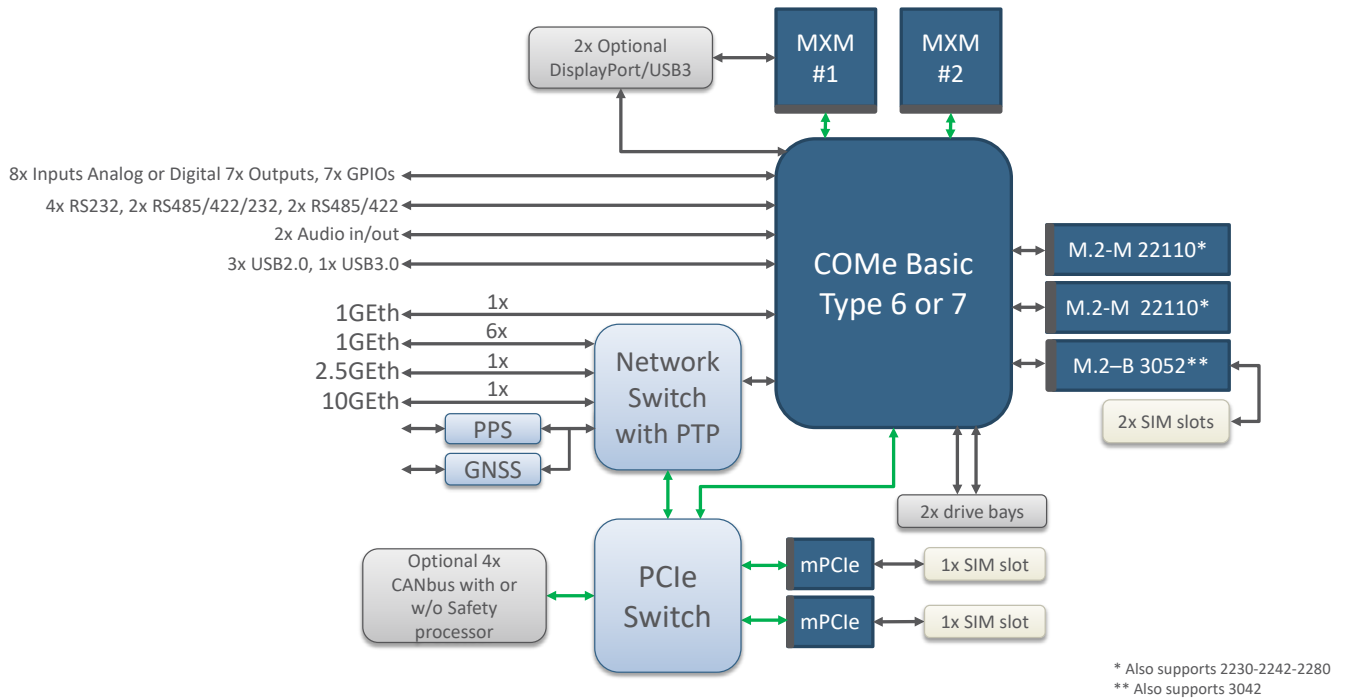
► TECHNICAL INFORMATION

CPU	COMe-bBD7R E2 Intel® Xeon® D-1539, 8 Cores, 1.6 GHz
OPTIONAL CPU	COMe-bBD7R E2 Intel® Xeon® D-1559, 12 Cores, 1.5 GHz
POWER SUPPLY	9-48 VDC 250 W Ground Isolated PSU (Option) 20-48 VDC 500 W Ground Isolated PSU
MEMORY	Up to 64 GByte of DDR4 (2x DDR4 DIMM with ECC)
COOLING METHOD	Passive convection (fanless) Forced air cooled or liquid cooled (Optional)
TEMPERATURE*	Operating Temperature: -40 °C to +71 °C**
INGRESS PROTECTION	IP67
DIMENSIONS (W x D x H)	330 mm x 273 mm x 114 mm (13.0" x 10.75" x 4.5")
ETHERNET PORTS	7x 10/100/1000 Mbit/s 1x 1000/2500 Mbit/s 1x 10 GbE PTP/1588 with 1PPS, GNSS timing Optional IEEE 802.3-2012 Power-over-Ethernet
STORAGE/ EXPANSION PORTS	2x 2.5" SSD 2x m.2-M key, 2230/2280/22110 1x M.2-B key, 3042/3052 2x mPCIe Full Length 2x MXM (Type A or B)
GPU & VIDEO	up to 2x NVIDIA T1000/RTX3000 (Optional) 2x DisplayPort (Optional IP67 High Speed Connector)
USB	1x USB 3.0 Type A 3x USB 2.0 2x USB 3.0 (Optional IP67 High Speed Connector)
SERIAL	4x RS232 2x RS485 or RS232 2x RS485/422
AUDIO	2x balanced Audio In/Out
GPIO	8x Digital/Analog configurable inputs 7x 100mA powered outputs 7x configurable low voltage inputs/outputs (0-5 V)
OPERATING SYSTEM	Linux Ubuntu 20.04 LTS, 64-Bit (installed)
SPECIAL FEATURES	GNSS and PPS input/output 9 Axis IMU 4x CANBus channels (Optional) Aurix TC387 MCU Safety Processor (POC Optional)

* Operating temperature may vary based on the selected CPU, GPU(s), power supply and cooling solution.

** Minimal airflow required

► BLOCK DIAGRAM



► GLOBAL HEADQUARTERS

Kontron Europe GmbH

Gutenbergstraße 2
 85737 Ismaning, Germany
 Tel.: +49 821 4086-0
 Fax: +49 821 4086-111
 info@kontron.com

www.kontron.com