

# MediView



## Medical Grade Monitor

- ▶ Seamless, flush all-glass front for best cleanability
- ▶ Robust powder coated stainless steel housing
- ▶ Touch operation with two-layers of medical gloves
- ▶ IEC 60601-1 compliant

POSSIBILITIES START HERE



# MediView

## Medical Grade Monitor

Kontron's new MediView Monitor with its robust front made of continuous hardened glass is ideally suited for all applications with high hygienic requirements as well as in the tough clinic routine. The PCAP touch display with anti-glare and anti-fingerprint surface finish can be operated even with two layers of medical gloves and is perfectly readable even in difficult lighting conditions. All relevant system components have been developed and manufactured in-house, thus ensuring individual customization and prompt support.

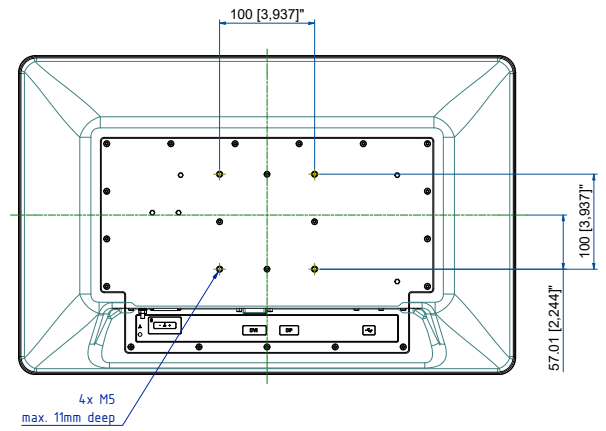
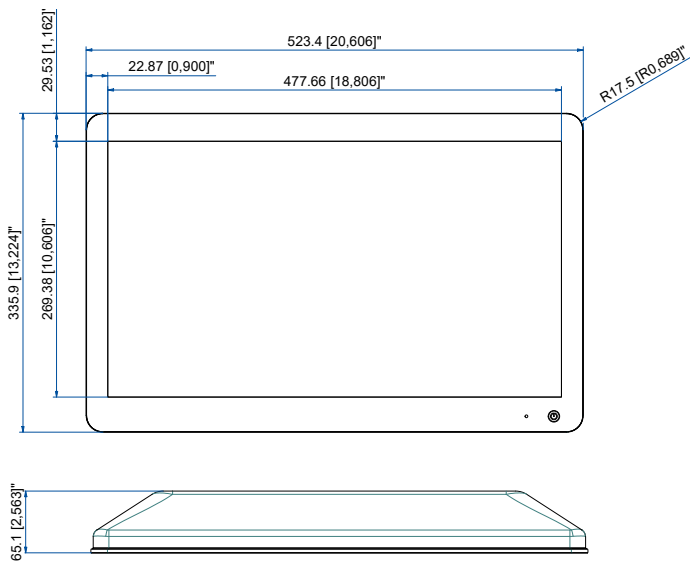
The system was developed in compliance with DIN EN 60601-1 for special safety of electronic devices in medical environments and is suitable for all applications with comprehensive hygienic specifications such as in nurses' stations, operating rooms, intensive care units or even in laboratories, pharmacies and clean rooms.

### ► TECHNICAL INFORMATION

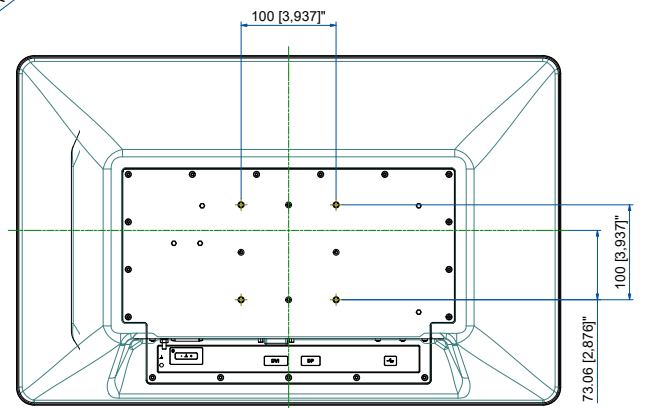
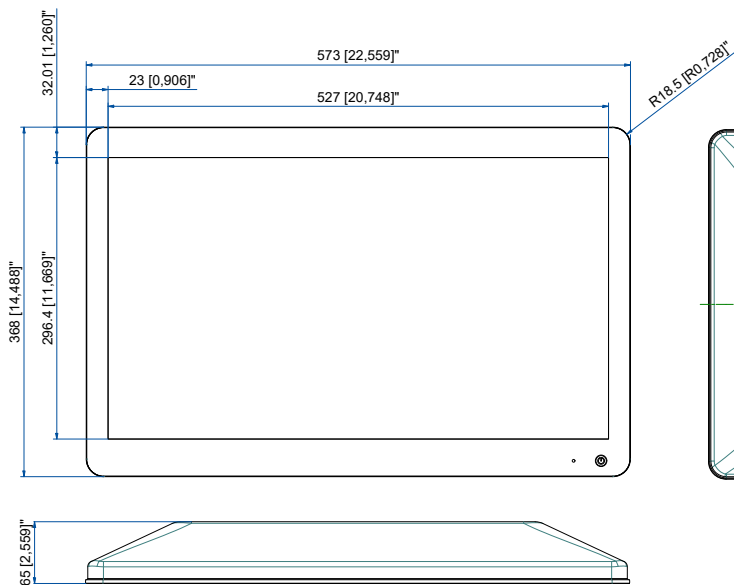
<b>DISPLAY SIZE &amp; RESOLUTION</b>	21.5", 1920x1080, 16:9	23.8" 1920x1080, 16:9
<b>LED BACKLIGHT</b>	Life time >=50.000h	Life time >=50.000h
<b>BRIGHTNESS</b>	400 cd/m <sup>2</sup>	400 cd/m <sup>2</sup>
<b>VIEWING ANGLE</b>	H178°/V178°	H178°/V178°
<b>DIMENSIONS</b>	523.4 x 336 x 65 mm	573 x 368 x 65 mm
<b>WEIGHT</b>	appr. 9.5 kg	appr. 11 kg
<b>FRONT OPTIONS</b>	Projected capacitive touch (PCAP), anti-glare and anti-fingerprint hardened glass	
<b>MOUNTING</b>	VESA 100	
<b>STANDARD INTERFACES</b>	1x DVI 1x DP 1x USB	
<b>POWER IN</b>	24 VDC (isolated 1MOOP, 1500VAC, >1.3 mm isolation barrier, max. operating range 9-30 VDC)	
<b>CERTIFICATIONS</b>	CE, UL	
<b>ALTITUDE</b>	Up to 4.000 m (Storage: 5600 m)	
<b>SHOCK ACC. TO EN 60068-2-27</b>	30 G 11 ms duration (half sine)	
<b>VIBRATION ACC. TO EN 60068-2-6</b>	10-500 Hz: 2G/3 axis	
<b>OPERATING TEMPERATURE STORAGE TEMPERATURE</b>	0 °C to +40 °C -20 °C to +70 °C	
<b>PROTECTION CLASS</b>	IP65 front IP32 rear	
<b>HUMIDITY</b>	10 %-90 % @ 39 °C, non condensing	
<b>MTBF</b>	> 50.000 h	
<b>VERIFIED OS</b>	Windows 10 IoT, Linux	
<b>RoHS COMPLIANT</b>	yes	
<b>OPTIONS (FURTHER OPTIONS ON REQUEST)</b>	Protection glass 24VDC (non-isolated, max. operating range 18-30 VDC) DICOM part 14 calibration High brightness Displays Customized printing/packaging/IO/BIOS	



► DIMENSIONS 21.5"



► DIMENSIONS 23.8"



## ▶ ORDERING INFORMATION

ARTICLE	PART NO.	DESCRIPTION
MediView 21.5"	2-A1H2-2001	Display 21.5, 1920x1080 FHD, 16:9, anti-glare and anti-fingerprint PCAP-Multiouch, powder coated stainless steel housing, VESA 100, 1x DVI, 1x DP, 1x USB, 24 V DC isolated (+/-25 %, 1500 V AC, 1 MOOP, >1.3 mm isolation barrier)
MediView 23.8"	2-A1H4-2001	Display 23.8, 1920x1080 FHD, 16:9, anti-glare and anti-fingerprint PCAP-Multiouch, powder coated stainless steel housing, VESA 100, 1x DVI, 1x DP, 1x USB, 24 V DC isolated (+/-25 %, 1500 V AC, 1 MOOP, >1.3 mm isolation barrier)
<b>ACCESSORIES</b>		
AC/DC ADAPTER	ER40-100008-01	AC/DC Adapter for 24 V DC isolated, 65 W (includes Power Connector)
POWER CORD EU	840-0059	Powercord EU, 2 m
POWER CONNECTOR	1062-2463	Power Connector for 24 V DC isolated
MONITOR STAND	1068-6122	Monitor Stand Stainless Steel, heavy duty

## ▶ GLOBAL HEADQUARTERS

### Kontron Europe GmbH

Gutenbergstraße 2  
 85737 Ismaning, Germany  
 Tel.: +49 821 4086-0  
 Fax: +49 821 4086-111  
 info@kontron.com

[www.kontron.com](http://www.kontron.com)